

## HSM-300Z

### Z-Wave Curtain Control Adapter

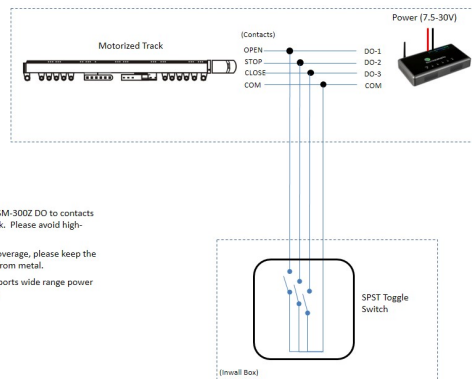


#### Introduction

The HSM-300Z is a Z-Wave enabled device which allows you to control a motorized system through digital contacts. It provides digital outputs which can control the UP/DOWN/STOP for all kinds of motorized system.

The HSM-300Z also is a repeater in the Z-Wave network. Acting as a bridge for communication, it will automatically forward Z-Wave commands to their destinations if the originating controller is out of range from the destination node.

#### Wiring Diagram



#### Notes :

1. Connect the HSM-300Z DO to contacts of motorized track. Please avoid high-voltage power.
2. To ensure RF coverage, please keep the HSM-300Z away from metal.
3. HSM-300Z supports wide range power input 7.5-30V DC.

**IMPORTANT!** A licensed electrician with knowledge of electrical systems should complete the electrical installation inside the main circuit box (usually located outside of your house).

**IMPORTANT!** The main power circuit must be shut off during the installation for safety and to ensure that wires are not short-circuited during installation, which will cause fatal damage to the device.

#### Configure the HSM-300Z

The HSM-300Z needs to be paired (included) into a Z-Wave network before it can be operated. Below lists the example of HBC-100 Scenario Control Gateway.

#### Adding/Including/Pairing the HSM-300Z into a Z-Wave Network

1. Start the "Inclusion" process of the HBC-100, which can be done by pressing the [Learn] button from its web user interface via your PC;
2. While the HSM-300Z is properly powered on, press its Program Button to acknowledge the inclusion request;
3. Assign a UI button to complete the Inclusion by selecting a room number and press any of the three buttons (ON/OFF/PAUSE).

*Note:* Please refer to the operation manual for your controller regarding how to include Z-Wave devices into an existing network.

#### Removing/Resetting the HGS-200Z from your Z-Wave Network

1. Start the "Exclusion" process of the HBC-100, this can be done by pressing the [Setup/Device/Exclude Device] tab from its web user interface;
2. Acknowledge the exclusion request by pressing the Program Button of the HSM-300Z.

#### Use the HSM-300Z for Motor Control

The following ways can be used to control the motor connected with the HSM-300Z:

1. Press the external switch button provided by the motorized track (please use the momentary push button):
  - [Type I Motor] Short click for OPEN/STOP/CLOSE (or UP/STOP/DOWN);
  - [Type II Motor] Press and hold OPEN/CLOSE to keep the motor moving on the desired direction, and release the button to stop the motor at target position;
2. Use Z-Wave commands built into Z-Wave controllers and gateways. You can control the motor via Android/iOS smart phone, web UI, portable controller, or intercom touch panel.

#### Advanced Setup

1. Motor Type Selection: The HSM-300Z supports both Type I & II motors (default as Type I), which can be configured by:
  - Press HSM-300Z program button before power on, hold the button until LED is on (about 1 sec.);
  - Release program button, then LEDs turn on alternated. Press the button again when desired LED is blinking (**Type I: LED 3, Type II: LED 4**);
  - You can continue the setup for motor calibration step 3 (see below). If you don't want to run calibration, please unplug power and plug it again.

## 2. Motor Calibration: To calibrate motor control, follow the steps:

- Press program button before plugging power, hold the button until LED is on (about 1 sec.);
- LEDs turn on alternated, press the button again when **LED 3 (Type I)** or **LED 4 (Type II)** is on;
- Press program button again, motor will go up;
- When motor goes to the desired top end, press program button again, then the motor will reverse;
- When the motor goes to the desired bottom end, press program button again, then motor stops.
- The time duration between desired top and bottom ends will be recorded to the HSM-300Z to complete motor calibration.

## Z-Wave Command Class

Z-Wave command class COMMAND\_CLASS\_SWITCH\_MULTILEVEL can be used to control the HSM-300Z. For motor calibration, please use SWITCH\_MULTILEVEL\_START\_LEVEL\_CHANGE and SWITCH\_MULTILEVEL\_STOP\_LEVEL\_CHANGE. Use BASIC\_SET with desired level can set motor position if calibration is run correctly.

## Technical Specifications

- RF 860-930MHz Z-Wave
- Power 7.5-24V
- RF Range 30m indoor line of sight
- Output UP/DOWN/STOP (DO 1/2/3)
- Dimension 137x91x25mm

## Limited Warranty

HomeScenario warrants to the original purchaser of Products that for the Warranty Period (as defined below), the Products will be free from material defects in materials and workmanship. The foregoing warranty is subject to the proper installation, operation and maintenance of the Products in accordance with installation instructions and the operating manual supplied to Customer. Warranty claims must be made by Customer in writing within thirty (30) days of the manifestation of a problem. HomeScenario' sole obligation under the foregoing warranty is, at HomeScenario' option, to repair, replace or correct any such defect that was present at the time of delivery, or to remove the Products and to refund the purchase price to Customer.

The "Warranty Period" begins on the date the Products is delivered and continues for 12 months. Any repairs under this warranty must be conducted by an authorized HomeScenario service representative and under HomeScenario' RMA policy. Any repairs conducted by unauthorized persons shall void this warranty. Excluded from the warranty are problems due to accidents, acts of God, civil or military authority, civil disturbance, war, strikes, fires, other catastrophes, misuse, misapplication, storage damage, negligence, electrical power problems, or modification to the Products or its components.

HomeScenario does not authorize any person or party to assume or create for it any other obligation or liability in connection with the Products except as set forth herein.

HomeScenario will pass on to Customer all manufacturers' Material warranties to the extent that they are transferable, but will not independently warrant any Material.

Customer must prepay shipping and transportation charges for returned Products, and insure the shipment or accept the risk of loss or damage during such shipment and transportation. HomeScenario will ship the repaired or replacement products to

Customer freight prepaid.

Customer shall indemnify, defend, and hold HomeScenario and HomeScenario' affiliates, shareholders, directors, officers, employees, contractors, agents and other representatives harmless from all demands, claims, actions, causes of action, proceedings, suits, assessments, losses, damages, liabilities, settlements, judgments, fines, penalties, interest, costs and expenses (including fees and disbursements of counsel) of every kind (i) based upon personal injury or death or injury to property to the extent any of the foregoing is proximately caused either by a defective product (including strict liability in tort) or by the negligent or willful acts or omissions of Customer or its officers, employees, subcontractors or agents, and/or (ii) arising from or relating to any actual or alleged infringement or misappropriation of any patent, trademark, mask work, copyright, trade secret or any actual or alleged violation of any other intellectual property rights arising from or in connection with the products, except to the extent that such infringement exists as a result of HomeScenario' manufacturing processes.

IN NO EVENT SHALL HOMESCENARIO BE LIABLE FOR ANY INDIRECT, INCIDENTAL, PUNITIVE, SPECIAL OR CONSEQUENTIAL DAMAGES, OR DAMAGES FOR LOSS OF PROFITS, REVENUE, OR USE INCURRED BY CUSTOMER OR ANY THIRD PARTY, WHETHER IN AN ACTION IN CONTRACT, OR TORT, OR OTHERWISE EVEN IF ADVISED OF THE POSSIBILITY OF SUCH DAMAGES. HOMESCENARIO' LIABILITY AND CUSTOMER'S EXCLUSIVE REMEDY FOR ANY CAUSE OF ACTION ARISING IN CONNECTION WITH THIS AGREEMENT OR THE SALE OR USE OF THE PRODUCTS, WHETHER BASED ON NEGLIGENCE, STRICT LIABILITY, BREACH OF WARRANTY, BREACH OF AGREEMENT, OR EQUITABLE PRINCIPLES, IS EXPRESSLY LIMITED TO, AT HOMESCENARIO' OPTION, REPLACEMENT OF, OR REPAYMENT OF THE PURCHASE PRICE FOR THAT PORTION OF PRODUCTS WITH RESPECT TO WHICH DAMAGES ARE CLAIMED. ALL CLAIMS OF ANY KIND ARISING IN CONNECTION WITH THIS AGREEMENT OR THE SALE OR USE OF PRODUCTS SHALL BE DEEMED WAIVED UNLESS MADE IN WRITING WITHIN THIRTY (30) DAYS FROM HOMESCENARIO'S DELIVERY, OR THE DATE FIXED FOR DELIVERY IN THE EVENT OF NONDELIVERY.

THE INDEMNITY AND WARRANTY IN ABOVE ARE EXCLUSIVE AND IN LIEU OF ALL OTHER INDEMNITIES OR WARRANTIES, WHETHER EXPRESS OR IMPLIED, INCLUDING THE IMPLIED WARRANTIES OF MERCHANTABILITY AND FITNESS FOR A PARTICULAR PURPOSE.

## FCC NOTICE (for USA):

THE MANUFACTURER IS NOT RESPONSIBLE FOR ANY RADIO OR TV INTERFERENCE CAUSED BY UNAUTHORIZED MODIFICATIONS TO THIS EQUIPMENT. SUCH MODIFICATIONS COULD VOID THE USER'S AUTHORITY TO OPERATE THE EQUIPMENT.

This device complies with Part 15 of the FCC Rules. Operation is subject to the following two conditions:

1. This device may not cause harmful interference, and
2. This device must accept any interference received, including interference that may cause undesired operation. This equipment has been tested and found to comply with the limits for a Class B digital device, pursuant to part 15 of the FCC Rules. These limits are designed to provide reasonable protection against harmful interference in a residential installation. This equipment generates, uses and can radiate radio frequency energy and, if not installed and used in accordance with the instructions, may cause harmful interference to radio communications. However, there is no guarantee that interference will not occur in a particular installation. If this equipment does cause harmful interference to radio or television reception, which can be determined by turning the equipment off and on, the user is encouraged to try to correct the interference by one or more of the following measures:
  - Reorient or relocate the receiving antenna.
  - Increase the separation between the equipment and receiver.
  - Connect the equipment into an outlet on a circuit different from that to which the receiver is connected.
  - Consult the dealer or an experienced radio/TV technician for help.

## Warning:

Do not dispose of electrical appliances as unsorted municipal waste, use separate collection facilities. Contact your local government for information regarding the collection systems available.